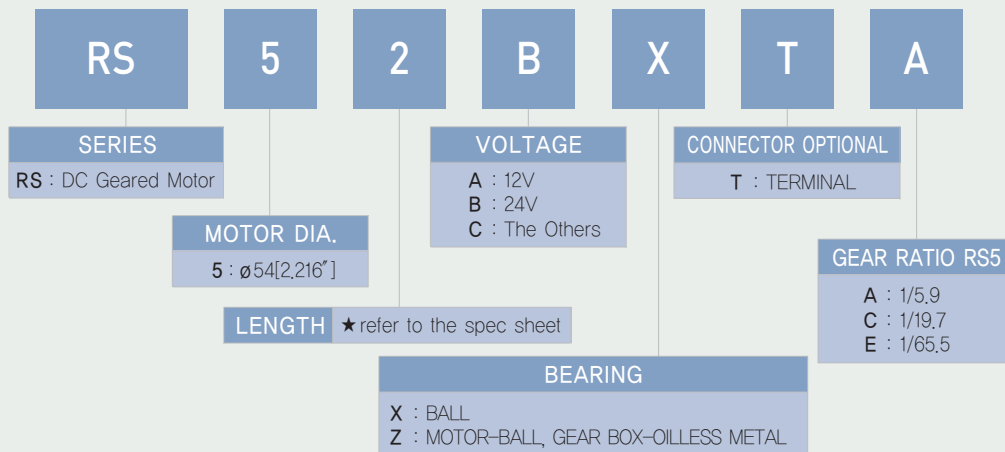
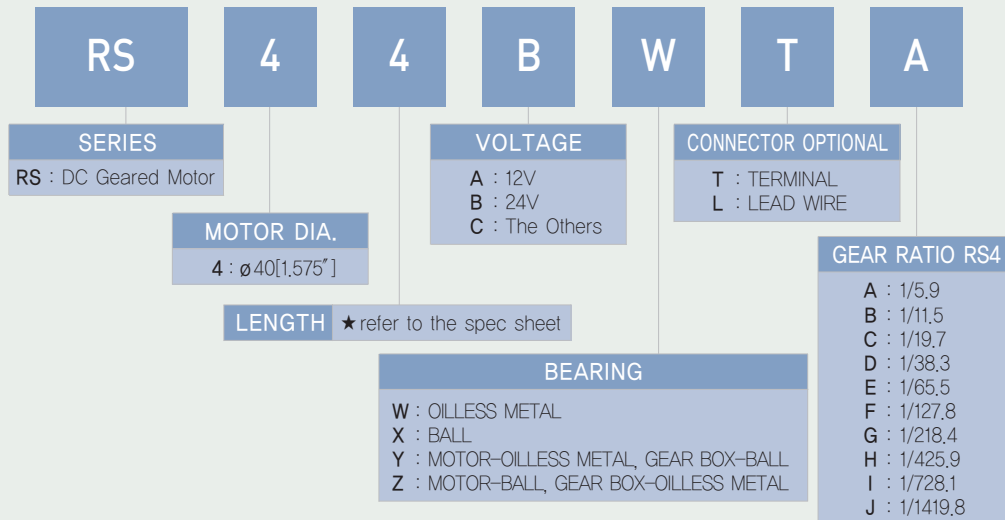
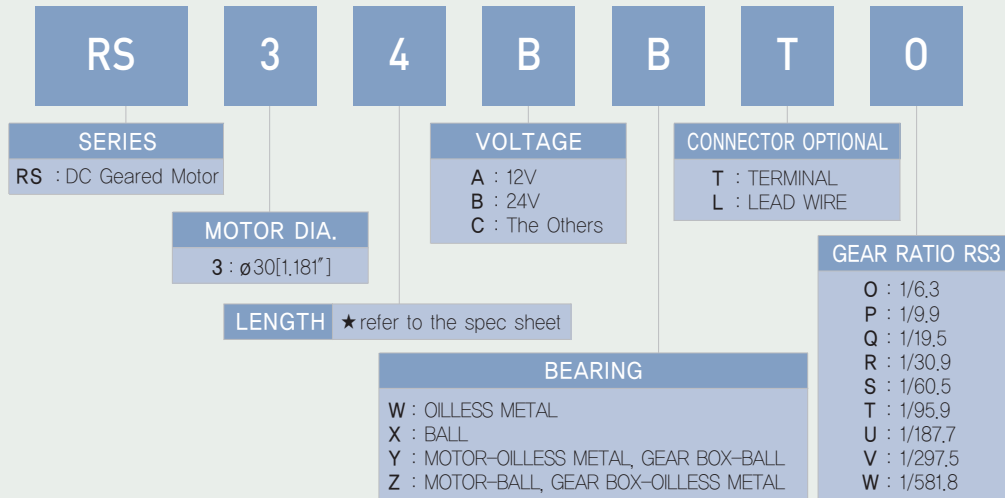


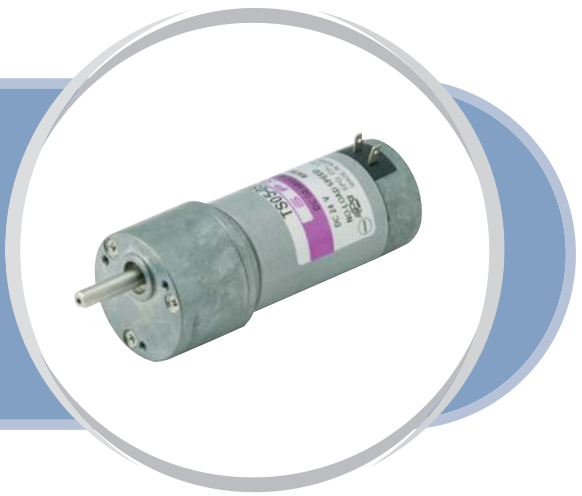
CODING SYSTEM

COMPACT TYPE

RS TYPE

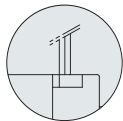
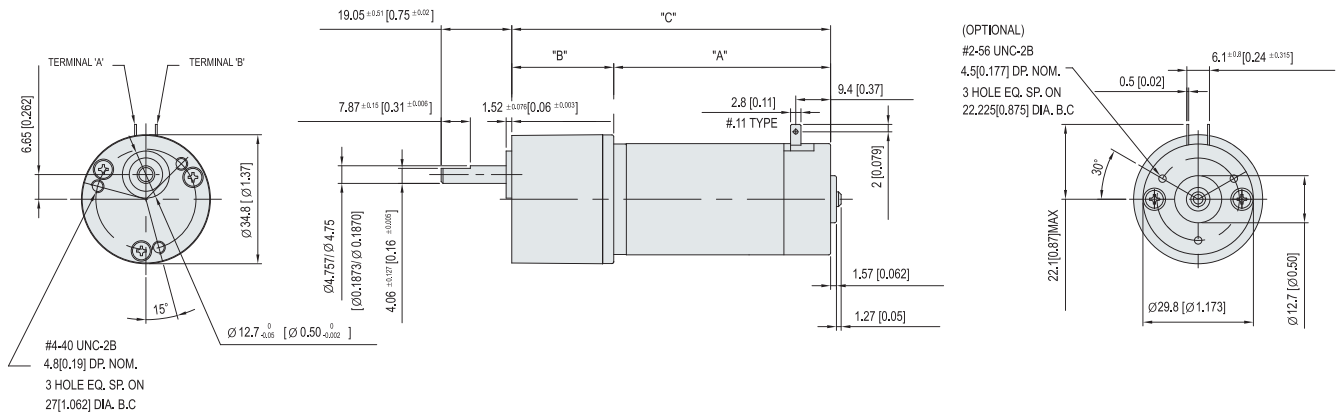


COMPACT TYPE RS3 SERIES GEARED MOTOR



MOTOR DIMENSION

UNIT : mm[inch]



CONNECTOR OPTIONAL
LEAD WIRES
457 ± 10 [17.992 ± 0.787] (L/W LENGTH)
RED & BLACK

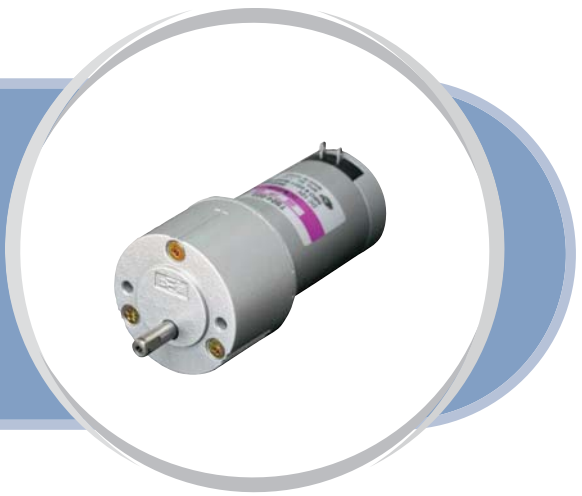
MODEL NO.	"A"	"B"		"C"
		RATIO : ~ 1/187.7	RATIO : 1/297.5 ~	
RS32□□□□	50.1 [1.972]			74.6 [2.937], 77.6 [3.055]
RS33□□□□	52.2 [2.055]	24.5 [0.965]	27.5 [1.083]	76.7 [3.020], 79.7 [3.138]
RS34□□□□	58.5 [2.303]			83.0 [3.268], 86.0 [3.386]

PERMISSIBLE TORQUE OF GEAR BOX

TYPE	GEAR RATIO	6.3	9.9	19.5	30.9	60.5	95.9	187.7	297.5	581.8
RS32B□□□□	No Load rpm	1230	783	397	251	128	81	41	26	13
	N·m	0.06	0.08	0.16	0.22	0.44	0.62	1.22	1.23	1.23
	oz·in	7.9	11.2	22.1	31.6	61.8	88.2	172.6	174.8	174.8
	kgf·cm	0.57	0.81	1.60	2.28	4.46	6.36	12.44	12.60	12.60
RS33B□□□□	No Load rpm	1291	821	417	263	134	85	43	27	14
	N·m	0.07	0.10	0.20	0.28	0.56	0.79	1.23	1.23	1.23
	oz·in	10.1	14.3	28.2	40.2	78.7	112.3	174.8	174.8	174.8
	kgf·cm	0.73	1.03	2.03	2.90	5.67	8.09	12.60	12.60	12.60
RS34B□□□□	No Load rpm	1613	1026	521	329	168	106	54	34	17
	N·m	0.09	0.13	0.26	0.36	0.71	1.02	1.23	1.23	1.23
	oz·in	13.0	18.4	36.2	51.7	101.2	144.3	174.8	174.8	174.8
	kgf·cm	0.94	1.33	2.61	3.72	7.29	10.40	12.60	12.60	12.60

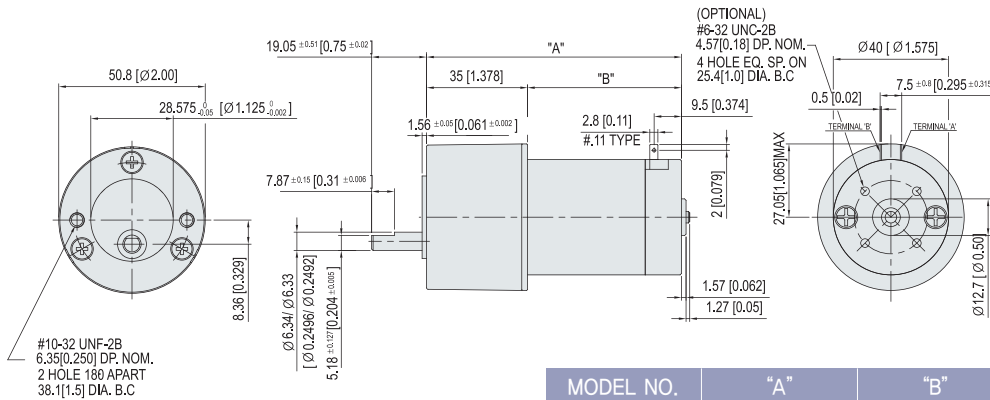
- ■ Color indicates that the output shaft of the geared motor rotates in the same direction as the output shaft of the motor. Others indicate rotation in the opposite direction.
- No Load rpm equals Motor no load rpm divided by gear ratio.
The actual rotation speed is less 2-20% than the displayed value according to the load.

COMPACT TYPE RS4 SERIES GEARED MOTOR



MOTOR DIMENSION

UNIT : mm[inch]



MODEL NO.	"A"	"B"	WEIGHT(kg)
RS42□□□□	78.8 [3.102]	43.8 [1.724]	0.39
RS43□□□□	88.4 [3.480]	53.4 [2.102]	0.43
RS44□□□□	93.5 [3.681]	58.5 [2.303]	0.50
RS45□□□□	101.1 [3.980]	66.1 [2.602]	0.54
RS46□□□□	110.0 [4.331]	75.0 [2.953]	0.58

PERMISSIBLE TORQUE OF GEAR BOX

TYPE	GEAR RATIO	5.9	11.5	19.7	38.3	65.5	127.8	218.4	425.9	728.1	1419.8
RS42□□□□	No Load rpm	1189	610	356	183	107	55	32	16	10	5
	N-m	0.07	0.15	0.23	0.44	0.67	1.31	2.02	2.12	2.12	2.12
	oz-in	10.6	20.7	31.9	62.0	95.4	186.2	286.3	299.7	299.7	299.7
	kgf·cm	0.76	1.49	2.30	4.47	6.88	13.42	20.63	21.60	21.60	21.60
RS43□□□□	No Load rpm	1016	521	304	156	91	47	27	14	8	4
	N-m	0.15	0.30	0.46	0.90	1.39	2.12	2.12	2.12	2.12	2.12
	oz-in	21.9	42.7	65.8	127.9	196.8	299.7	299.7	299.7	299.7	299.7
	kgf·cm	1.58	3.07	4.74	9.21	14.18	21.60	21.60	21.60	21.60	21.60
RS44□□□□	No Load rpm	1043	535	312	161	94	48	28	14	8	4
	N-m	0.20	0.39	0.61	1.18	1.81	2.12	2.12	2.12	2.12	2.12
	oz-in	28.5	55.6	85.7	166.6	256.4	299.7	299.7	299.7	299.7	299.7
	kgf·cm	2.05	4.01	6.18	12.01	18.48	21.60	21.60	21.60	21.60	21.60
RS45□□□□	No Load rpm	1076	552	322	166	97	50	29	15	9	4
	N-m	0.23	0.45	0.69	1.34	2.06	2.12	2.12	2.12	2.12	2.12
	oz-in	32.5	63.3	97.7	189.9	292.2	299.7	299.7	299.7	299.7	299.7
	kgf·cm	2.34	4.56	7.04	13.68	21.06	21.60	21.60	21.60	21.60	21.60
RS46□□□□	No Load rpm	833	427	250	128	75	38	23	12	7	3
	N-m	0.32	0.62	0.96	1.86	2.12	2.12	2.12	2.12	2.12	2.12
	oz-in	45.1	87.9	135.5	263.5	299.7	299.7	299.7	299.7	299.7	299.7
	kgf·cm	3.25	6.33	9.77	18.99	21.60	21.60	21.60	21.60	21.60	21.60

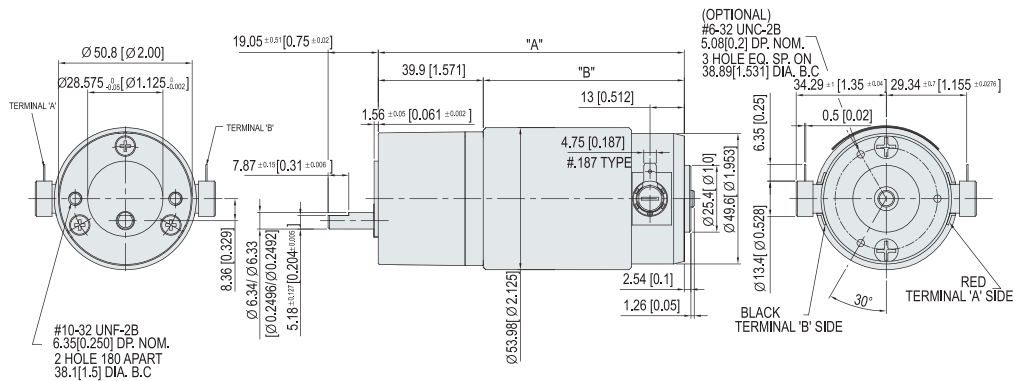
- ■ Color indicates that the output shaft of the geared motor rotates in the same direction as the output shaft of the motor. Others indicate rotation in the opposite direction.
- No Load rpm equals Motor no load rpm divided by gear ratio. The actual rotation speed is less 2-20% than the displayed value according to the load.

COMPACT TYPE RS5 SERIES GEARED MOTOR



MOTOR DIMENSION

UNIT : mm[inch]



MODEL NO.	"A"	"B"	WEIGHT(kg)
RS51□□□□	109.9 [4.327]	70.0 [2.756]	0.84
RS52□□□□	115.90 [4.563]	76.0 [2.992]	0.95

PERMISSIBLE TORQUE OF GEAR BOX

TYPE	GEAR RATIO	5.9	19.7	65.5
RS51B□□□□	No Load rpm	717	215	65
	N-m	0.27	0.82	2.12
	oz-in	38.46	115.59	299.74
	kgf·cm	2.77	8.33	21.60
RS52B□□□□	No Load rpm	693	207	62
	N-m	0.43	1.29	2.12
	oz-in	61.01	183.35	299.74
	kgf·cm	4.40	13.21	21.60

- ■ Color indicates that the output shaft of the geared motor rotates in the same direction as the output shaft of the motor. Others indicate rotation in the opposite direction.
- No Load rpm equals Motor no load rpm divided by gear ratio. The actual rotation speed is less 2-20% than the displayed value according to the load.