

OPTION

21C, for World geared motor



XWA series

5

XBA series

25

XFA series

49

OPTION

69

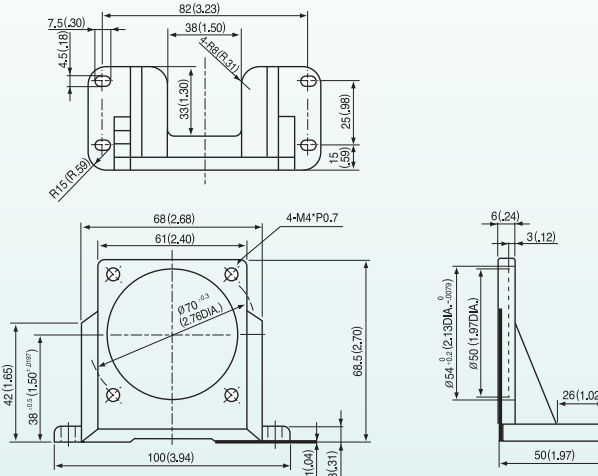
MOTOR & GEAR HEAD MOUNTING PLATE

60(2.36)



Dimension

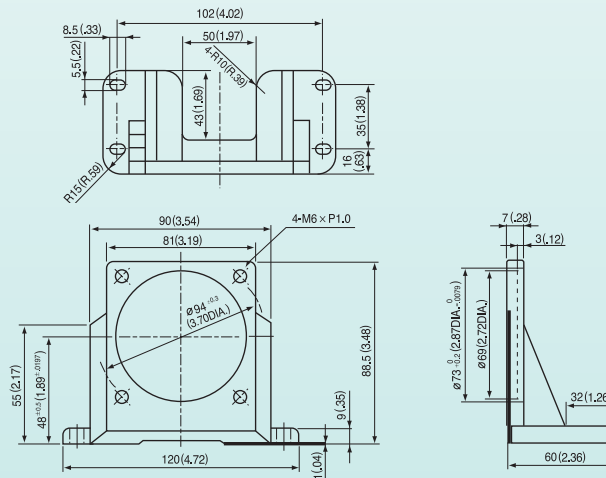
[Unit : mm(inch)]



80(3.15)



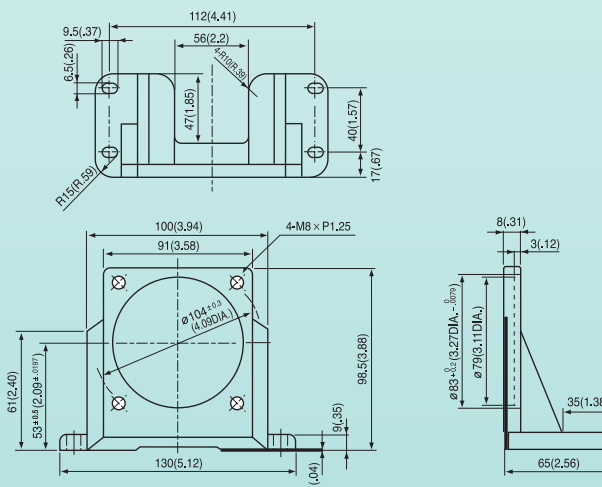
Dimension



90(3.54)



Dimension



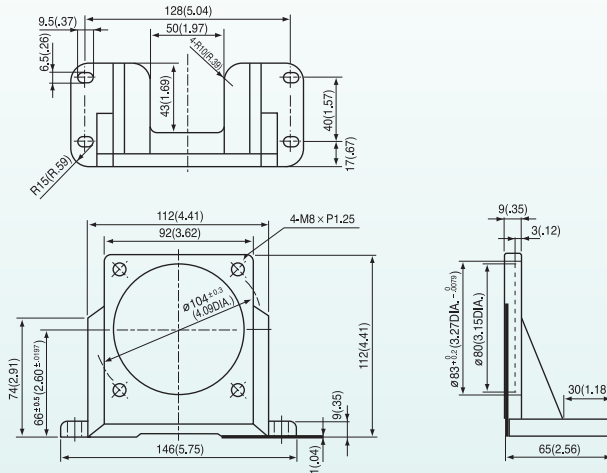
MOTOR & GEAR HEAD MOUNTING PLATE

- 90(3.54)



Dimension

[Unit : mm(inch)]



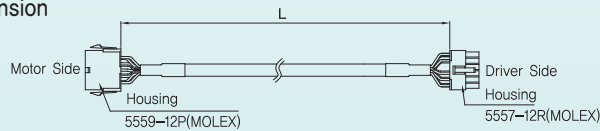
EXTENSION CABLE



XB Series / XW Series

[Unit : mm]

Dimension



·10W~150W

[Extension cable]

Model명	L(extension wire)
XEAEW-1	1m
XEAEW-2	2m
XEAEW-3	3m
XEAEW-5	5m
XEAEW-10	10m

[Operation for Cable]

Model명	L(extension wire)
MXEAEW-1	1m
MXEAEW-2	2m
MXEAEW-3	3m
MXEAEW-5	5m
MXEAEW-10	10m

·200W, 400W

[Extension cable]

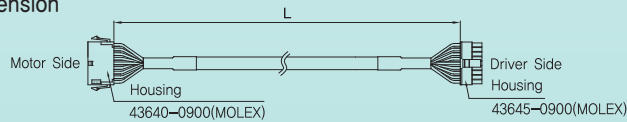
Model명	L(extension wire)
XEAEW-1H	1m
XEAEW-2H	2m
XEAEW-3H	3m
XEAEW-5H	5m
XEAEW-10H	10m

[Operation for Cable]

Model명	L(extension wire)
MXEAEW-1H	1m
MXEAEW-2H	2m
MXEAEW-3H	3m
MXEAEW-5H	5m
MXEAEW-10H	10m

XF Series

Dimension



·30W, 50W

[Extension cable]

Model명	L(extension wire)
XFAEW-0P5F	0.5m
XFAEW-1P0F	1m
XFAEW-1P5F	1.5m

·100W

[Extension cable]

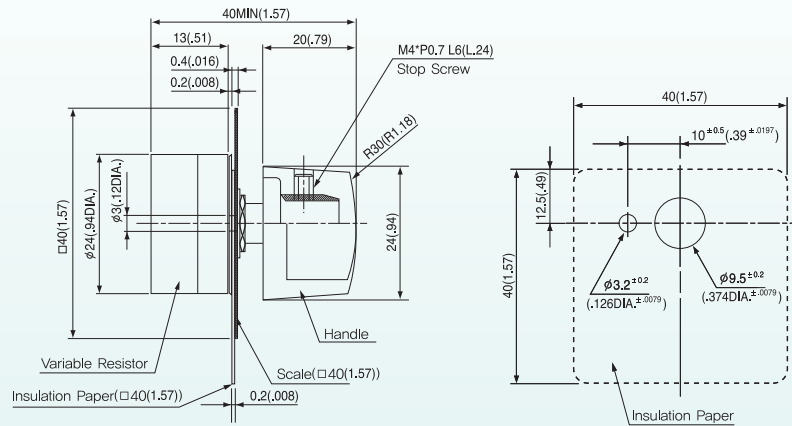
Model명	L(extension wire)
XEAEW-0P5H	0.5m
XEAEW-1H	1m
XEAEW-1P5H	1.5m

EXTERNAL SPEED POTENTIOMETER



Dimension

[Unit : mm(inch)]



Model

Model	Characteristics
SVR20KH	20k Ω , 1/4W · B Characteristics

※ XBD SERIES is fitted.

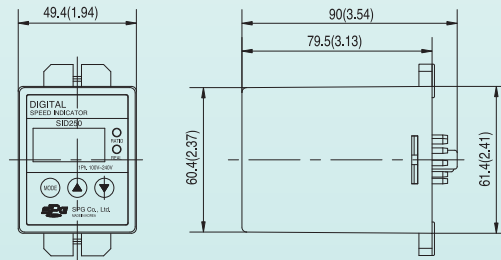
DIGITAL SPEED INDICATOR

PART NAME : SID250

This is free power type of digital displayed speed indicator, that can directly displays rotation speed for the motor and the gearhead output shaft.



Dimension [Unit : mm(inch), Weight : 200g(0.44lb)]

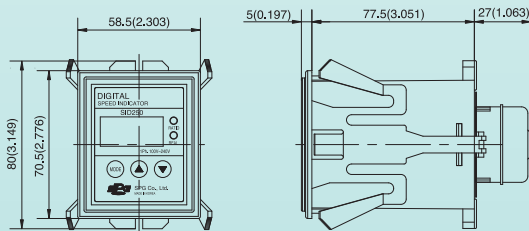


Accessory

1 adaptor for installing panel and 1 round socket are fitted.

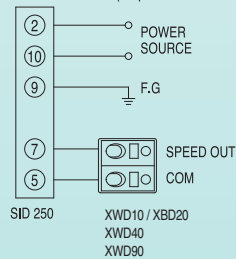
If adaptor and round socket is mounted in the body

Dimension [Unit : mm(inch)]



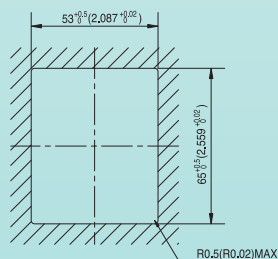
Interface example

X-TOR Series(12 pulse/rotation)

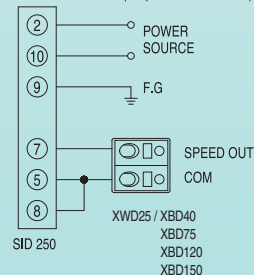


Installation hole machined dimension

Dimension [PANEL thick : 1mm~3.2mm]



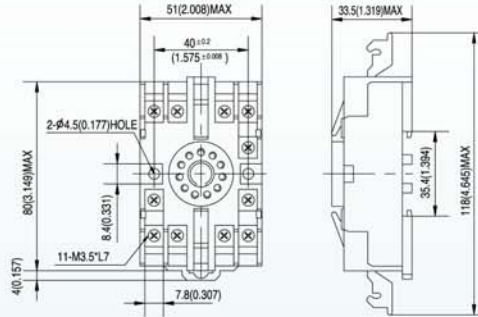
X-TOR Series(15 pulse/rotation)



DIN RAIL MOUNTING SOCKET

■ PART NAME : SB11-H

■ Dimension [Unit : mm(inch), Weight : 75g(0.165lb)]

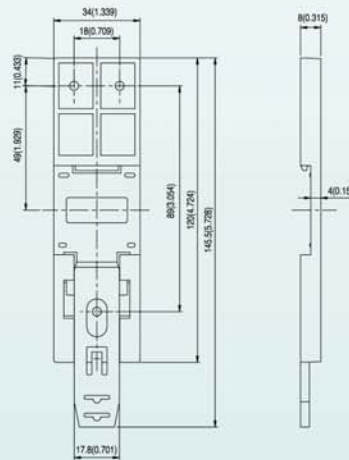


※ Application Model : SID250

DIN RAIL MOUNTING PLATE

■ PART NAME : SDP-01

■ Dimension [Unit : mm(inch)]



※ Application Model : XLA, XBA Series